



### ■ Features

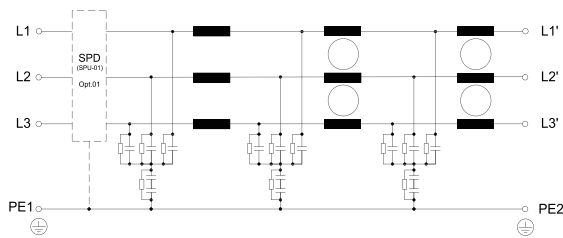
- Busbar type
- High current
- High performance
- Very compact & light weight
- Safety cover for dust

### ■ Typical Applications

- Solar inverter
- ESS, PCS
- AVR, UPS, Inverter, Converter
- Motor drive Equipments
- Various industrial applications
- ACB Panel, distribution Panel
- Industrial equipment

Items	BBA-5150-MSH	BBA-5200-MSH	BBA-5250-MSH	BBA-5300-MSH	BBA-5400-MSH	BBA-5500-MSH	BBA-5600-MSH
Rated Voltage (V <sub>R</sub> )	3Ø, 500Vac ( 450Vac when use Opt.01 )						
Operating frequency	50 / 60Hz						
Rated Currents @40°C (I <sub>R</sub> )	150A	200A	250A	300A	400A	500A	600A
Withstanding voltage test	Line to Earth : 2,828Vdc for 1min. or 3,200Vdc for 2sec. ( BHSTD-QUA-Q201 )						
Insulation resistance	500Vdc for 1min. 300MΩ Min. ( BHSTD-QUA-Q202 )						
Leakage current	140mA Max. at rated voltage ( BHSTD-QUA-Q203 )						
Voltage drop	1.0V Max. ( BHSTD-QUA-Q204 )						
Temperature range	25/100/21 (-25°C to +100°C), 20~95% RH at Operating & Storage						
Designed according to	IEC/EN 60939 / UL1283 / CSA 22.2 No.8						
Weight[Kg](Max.)	9.75	9.75	9.80	9.90	9.90	9.95	10.00

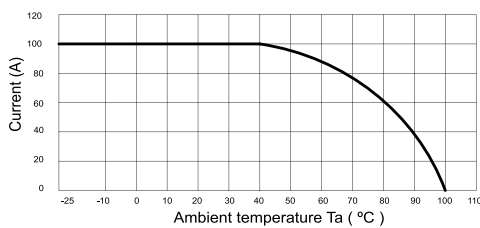
### ■ Circuit Diagram



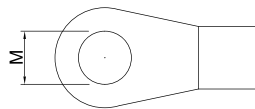
### ■ Shape & Dimension (mm)

See next page

### ■ Derating Curve



### ■ Lug ring terminal



### ■ Recommended torque

for M8 : 8.9 ~ 10.8 N · m  
 for M10 : 18 ~ 23 N · m

3Ø, 500Vac (150/200/250/300/400/500/600A) : 삼상 교류 500V 고감쇠형

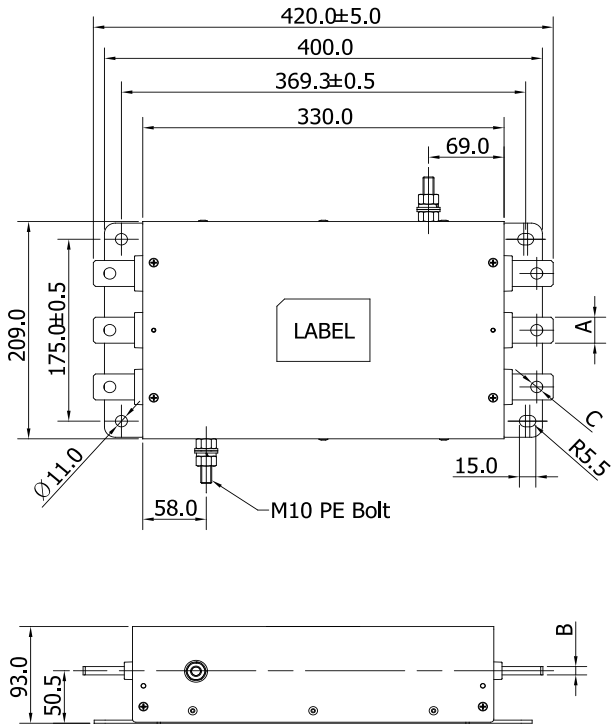
# BBA-5\*\*\*-MSH Series (High Atten. type)

# BEMF

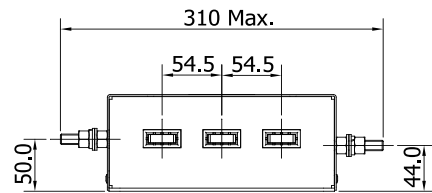
EMI/EMC FILTER

## ■ Shape & Dimension (mm)

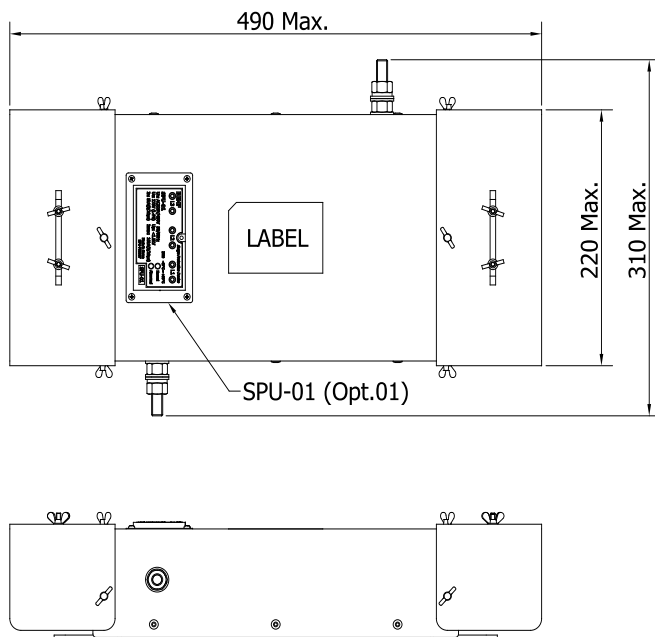
### Basic type



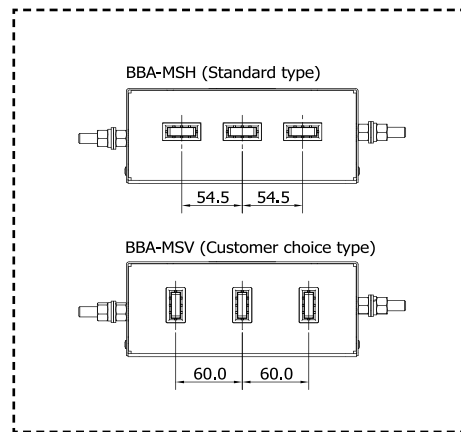
Rated current	A	B	C
150/200A	20	3	Ø9
250/300/400A	25	6	Ø11
500/600A	25	8	Ø13



### Standard type ( with terminal protection cover )



### Busbar install type



TO THE WORLD BUMHAN ● WE MAKE FOR YOU ● TO THE WORLD BUMHAN ● WE MAKE FOR YOU ● TO THE WORLD BUMHAN ● WE MAKE FOR YOU ● TO THE WORLD BUMHAN