

1Ø, 250Vac (30/40/50/60/80/100/120A) : 단상 교류 250V 표준형
BSM-2*-SD Series (Standard type)**



■ **Features**

- Standard type
- Dual PE system
- Compact, space saving
- Light weight
- Low cost

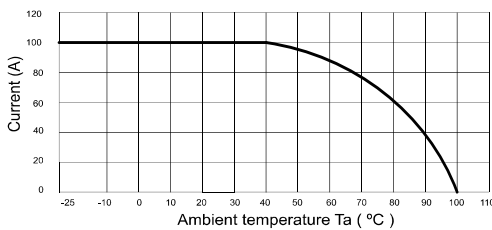
■ **Typical Applications**

- General purpose
- Industrial equipment
- Motor drive equipments
- AVR, UPS, Inverter, Converter
- Factory automation equipment
- Single-phase electricity supply
- ACB Panel, distribution Panel

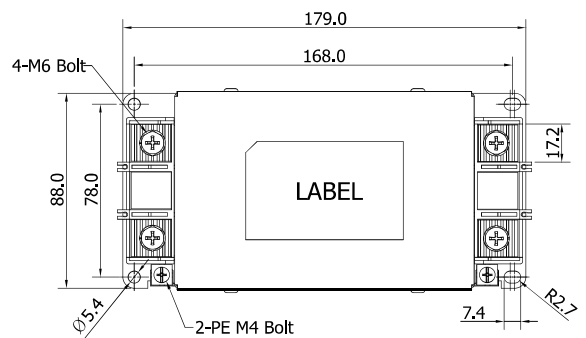
■ **Technical specifications**

Items	BSM-2030-SD	BSM-2040-SD	BSM-2050-SD	BSM-2060-SD	BSM-2080-SD	BSM-2100-SD	BSM-2120-SD
Rated Voltage (V _R)	1Ø, 250Vac						
Operating frequency	50 / 60Hz						
Rated Currents @40°C (I _R)	30A	40A	50A	60A	80A	100A	120A
Withstanding voltage test	Line to Earth : 2,121Vdc for 1min. or 2,750Vdc for 2sec. (BHSTD-QUA-Q201)						
Insulation resistance	500Vdc for 1min. 300MΩ Min. (BHSTD-QUA-Q202)						
Voltage drop	1.5V Max. (BHSTD-QUA-Q204)						
Temperature range	25/100/21 (-25°C to +100°C), 20~95% RH at Operating & Storage						
Designed according to	IEC/EN 60939 / UL1283 / CSA 22.2 No.8						

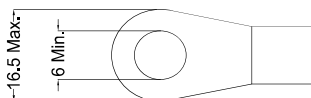
■ **Derating Curve**



■ **Shape & Dimension (mm)**



■ **Lug ring terminal**



■ **Recommended torque**

4.0 ~ 4.9 N · m

