



■ Features

- Inverter(VFD) output filter
- Suppress cable dv/dt
- Reduce damage of motor windings
- Extend motor life
- Improvement of system reliability
- For cable length within 2,000m

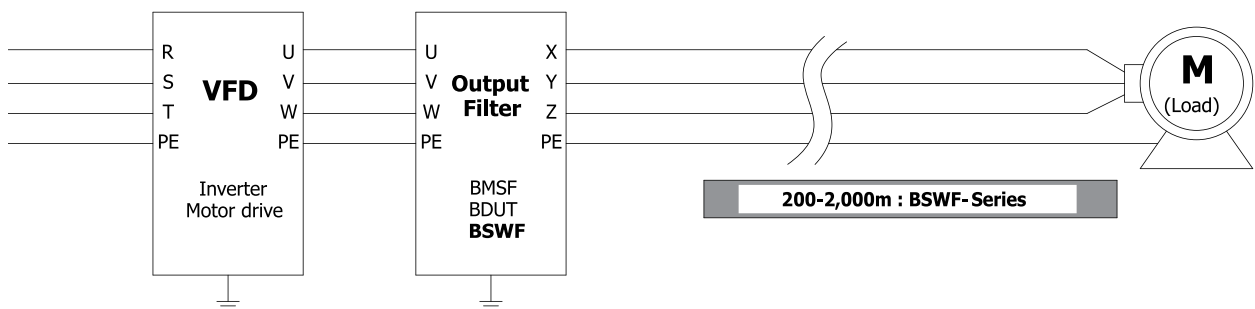
■ Typical Applications

- Motor drive equipments
- Inverter(VFD) equipments
- Conveyers
- HVAC equipment
- Pumps, fans, compressors
- Elevators, hoistings, cranes

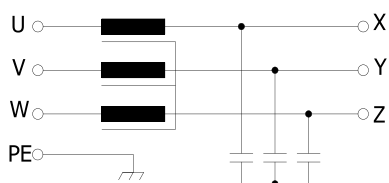
■ Technical specifications

Model name (100m Max)	Rated Current at 40°C 60Hz [A]	Typical Motor drive power rating [kW]		Nominal Inductance [mH]	Shape & Dimension
		380-480Vac	200-230Vac		
BSWF-17W7.5	17	7.5	3.7	3.10	Fig.1
BSWF-24W11	24	11	5.5	2.40	
BSWF-40W18	40	18	7.5	1.60	Fig.2
BSWF-50W22	50	22	11	1.10	
BSWF-80W37	80	37	18.5	0.75	Fig.3
BSWF-115W55	115	55	22	0.50	Fig.4
BSWF-180W90	180	90	37	0.30	Fig.5
BSWF-260W132	260	132	55	0.20	
BSWF-400G185	400	185	90	0.13	Please inquire
BSWF-580G280	580	280	132	0.11	
BSWF-750G375	750	375	160	0.12	

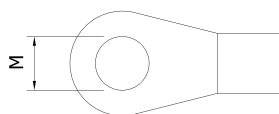
■ Typical electrical block diagram



■ Circuit Diagram



■ Lug ring terminal



■ Recommended torque

- for M6 : 4.0 ~ 4.9 N · m
- for M8 : 8.9 ~ 10.8 N · m

3Ø, 500Vac, 0-70Hz, Sine Wave Filter (7.5kW ~ 375kW)

BSWF-*W*** Series**

BEMF
EMI/EMC FILTER

■ Shape & Dimension (mm)

Fig.1 : BSWF-17W7.5 / BSWF-24W11

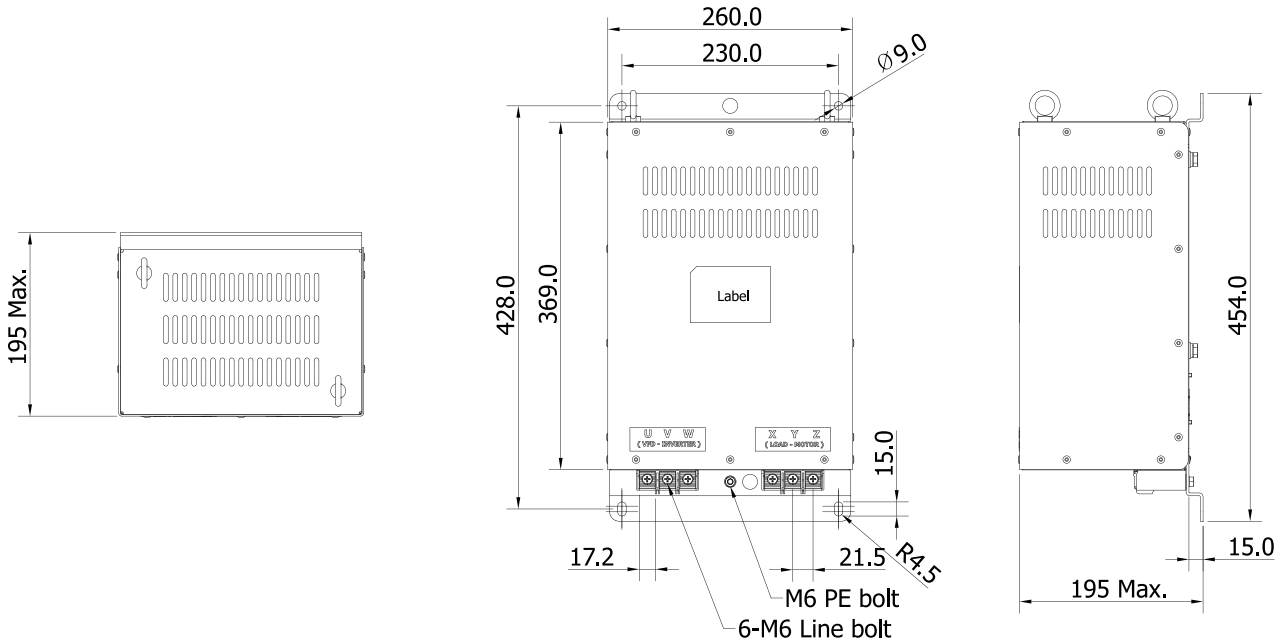
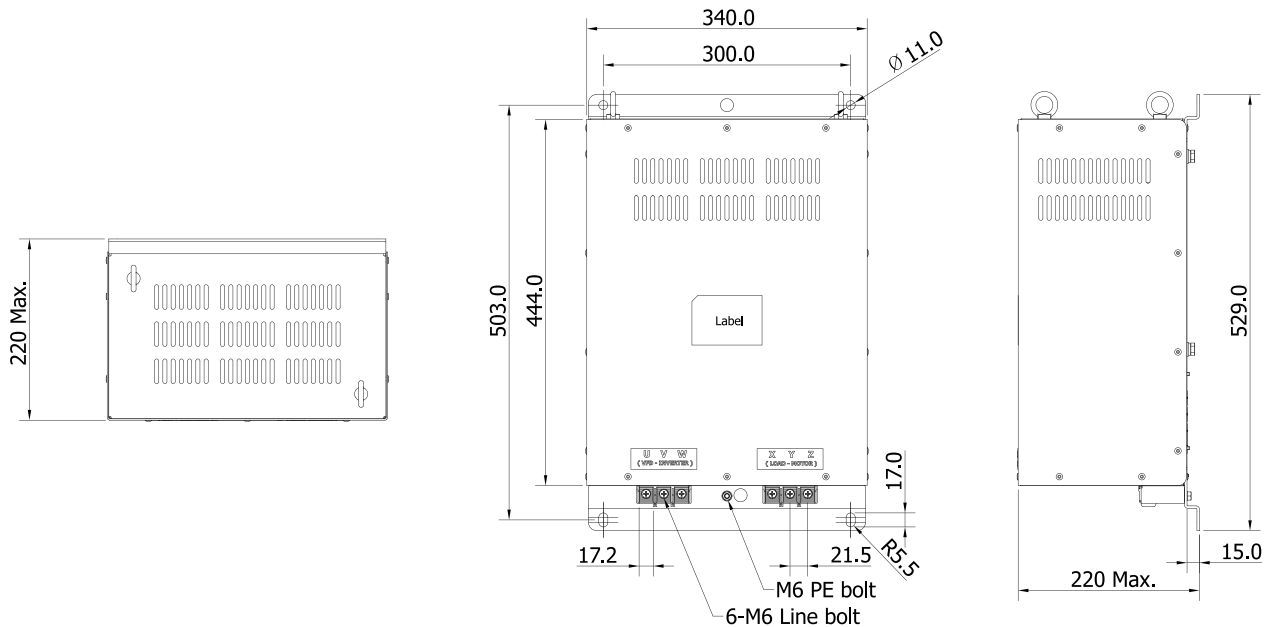


Fig.2 : BSWF-40W18 / BSWF-50W22



TO THE WORLD BUMHAN ● WE MAKE FOR YOU ● TO THE WORLD BUMHAN ● WE MAKE FOR YOU ● TO THE WORLD BUMHAN ● WE MAKE FOR YOU ● TO THE WORLD BUMHAN

3Ø, 500Vac, 0-70Hz, Sine Wave Filter (7.5kW ~ 375kW)

BSWF-*W*** Series**

BEMF
EMI/EMC FILTER

■ Shape & Dimension (mm)

Fig.3 : BSWF-80W37

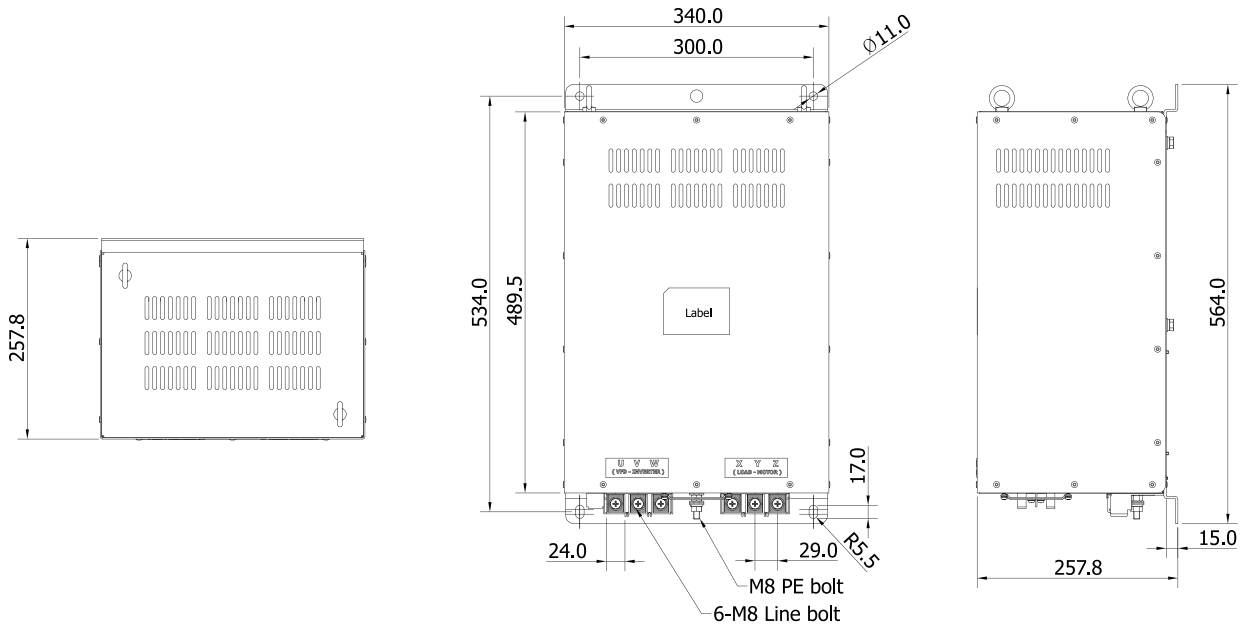
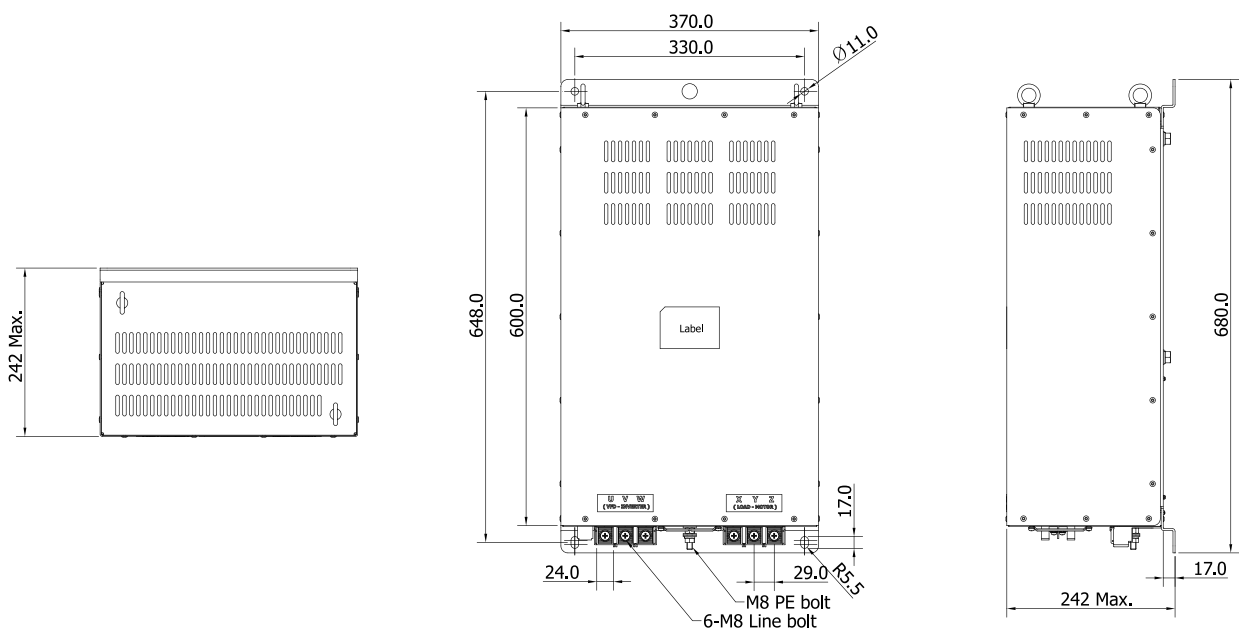


Fig.4 : BSWF-115W55



TO THE WORLD BUMHAN ● WE MAKE FOR YOU ● TO THE WORLD BUMHAN ● WE MAKE FOR YOU ● TO THE WORLD BUMHAN ● WE MAKE FOR YOU ● TO THE WORLD BUMHAN

3Ø, 500Vac, 0-70Hz, Sine Wave Filter (7.5kW ~ 375kW)

BSWF-***W*** Series

BEMF
EMI/EMC FILTER

■ Shape & Dimension (mm)

Fig.5-1 : BSWF-180W90 / BSWF-260W132 (Wall mount type)

